



Application – Court Duress Alarm **Tech Works Solution - Duress Call**

General Description -

Court Duress alarms are required for most multi courtroom justice facilities. There are situations when the Bailiff, Court Clerk, Judge in the courtroom or in chambers require assistance to quell a disturbance or handle a potential security threat. Typically these systems are designed to summon assistance silently to avoid further agitation of the offending parties. Obviously a robust, simple to use system is required for this application.

Tech Works Duress Call has been designed with this application in mind. Duress Call is an advanced technology communications system comprised of intelligent modules designed to provide data collection and output. Hidden call switches at court personnel locations will summon Bailiffs and Marshals to a particular location. Centrally located alarm panels, Corridor lights and/or wireless in house pager networks are options. Wired or wireless, audible or silent we have the correct appliances for your application. The Duress Call system is flexible to adapt to all methods of operation for courthouse security. Ease of installation helps in maintaining an extremely competitive installed cost. Expansion possibilities are almost endless both in the scope and functionality of the system.

Basic system components:

Product	Purpose or Function
5200B-DC	Duress-Call Master with Call Acknowledge Buttons – Typically installed in the Marshall's/Sheriff's Office.
5201B-DC	Duress-Call Annunciator with Silence Button – Common areas or Break Rooms.
5220B-DCS	Corridor Light / Data input Module – One per Court Room
5230DC	I/O Module – Typically used where a Corridor Light is not required.
5131	Duress / Holdup Button – One per staff call location.
5400	Digital Interface Bridge – One required for interface to Pocket Page
PS1260	Power Supply – Supply as necessary per load calculations.
BY OTHERS	Pager Encoder – One per system to transmit messages
BY OTHERS	2 Line Pager – Provide as needed for Response Teams

Benefits of using Tech Works –

- Simple wiring allows for quick installation and expansion for new areas as needed.
- Distributed intelligence allows for display of Duress-Call wherever needed.
- Call switches feature ADA compliant visual call acknowledgement for the user and change in visual signal to indicate the call was received and help is on the way
- Digital communications system makes adding Pocket Page Easy, Affordable, and Reliable.

Tech Works™



"Making Specialized Communication Easy"

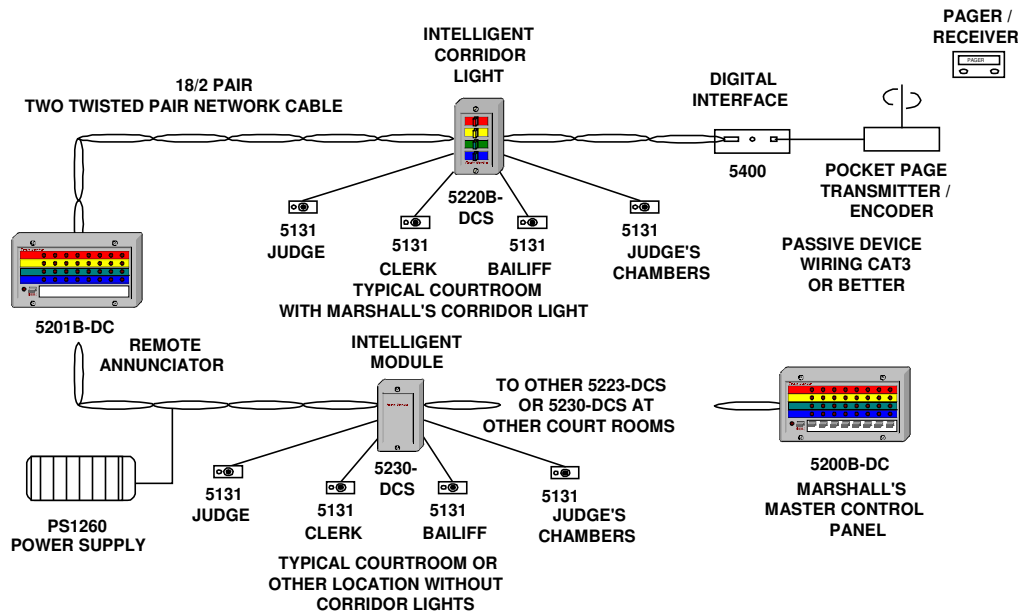
A Division of: ***United Communication Technology, Inc.***
22349 La Palma Ave., Suite #107, Yorba Linda, CA 92887

Direct Line: **714-694-1040** Fax: **714-694-1041** Toll Free: **1-800-813-1080**

Web site **www.tech4people.com**

System Design Layout and Connections -

Tech Works DURESS-CALL



COURT DURESS-CALL

Components –

<u>Qty</u>	<u>Part #</u>	<u>Description</u>	<u>Purpose / Use</u>
6ea.	5220B-DCS	Corridor Light / Data input Module	One per Courtroom
28ea.	5131	Duress / Holdup Button	4 per courtroom plus 4 Cashiers
1ea.	5230-DC	I/O Module	One to pickup the 4 Cashiers
1ea.	5200B-DC	Duress-Call Master with Call Acknowledge Buttons	Marshall's Office.
1ea.	PS1260	Power Supply	
1000ft.	22/2 Pair	Passive Station Wire	
1000ft.	18/2 Pair	Two Pair Network Wire	

For other related Duress Call communications solutions please request the application sheets listed below:

Jury call Systems – These are small sub systems used for Bailiffs to call the jury or the Jury to summon the Bailiff.

High risk public and private offices duress systems - Probation offices, welfare offices, Drug Treatment facilities, mental health clinics.

Tech Works Duress call is the specified standard for mental health clinics, courthouses, police stations, and other high risk public facilities, protecting public employees, all over the United States.