



CS-55 WIRELESS HEADSET

The CS-55 wireless headset system combines the clarity of traditional corded technology with the mobility of wireless, so employees can move around to wherever business takes them—without interrupting or missing critical communication. Wireless headsets transform the work environment by facilitating active collaboration and joint problem solving, increasing employee availability, and enhancing the ability to multi-task. The CS-55 headset is ideal for: Nurses, Doctors, Lab Technicians, and anyone that needs to be mobile and still in full duplex verbal communication.

The Tech Works CS-55 wireless headset includes the HS-1 adapter for the IC-52. The HS-1 allows the installer to simply plug the headset into an IC-52. It includes automatic switching circuitry to mute the ceiling speaker and console microphone whenever the headset is in use. A 5-position Euro-style female connector plugs directly into the operator speaker and microphone connections on the IC-52. The 5-pin Euro-style screw terminal supplied with the IC-52 plugs into a mating connector on the HS-1. The CS-55 simply plugs in to a telephone handset jack on the side of the HS-1. Power for the CS-55 is from a separate wall mounted power supply, which is included. The HS-1 acquires power from the IC-52 microphone phantom power so no other connections are required.

BENEFITS

- Easy to use
- High Quality Audio
- Automatic Mute of Speaker and Microphone
- Hands Free Operation
- Plug and Play
- No Special Tools

Design Information

Talk Time Up to 10 hours
Standby Time Up to 50 hours
Range Up to 300 ft.
Operating Frequency 1.9GHz DECT
SAR Base = 0.0055W/kg; Headset = 0.0015W/kg
Security/Privacy 64-bit digital encryption
Headset Microphone Noise-canceling
Headset Weight 26 grams
Headset Controls Volume, mute, call answer/end
Battery Type Lithium Ion Polymer
Battery Recharge Time 1.5 hours (80%) / 3 hours (100%)
Operating Temp Range +4°C (39°F) to +44°C (111°F)
Wearing Styles Convertible: over the ear, over the head, behind the head (with accessory neckband)
Power: IC-52 Microphone Phantom Power
Dimensions: 4.5" W X 4" D X 7" H

Connections:

Euro-Style Screw blocks – Speaker and Microphone
RJ Handset Jack – CS-55 Headset

Tech Works™

"Making Specialized Communication Easy"

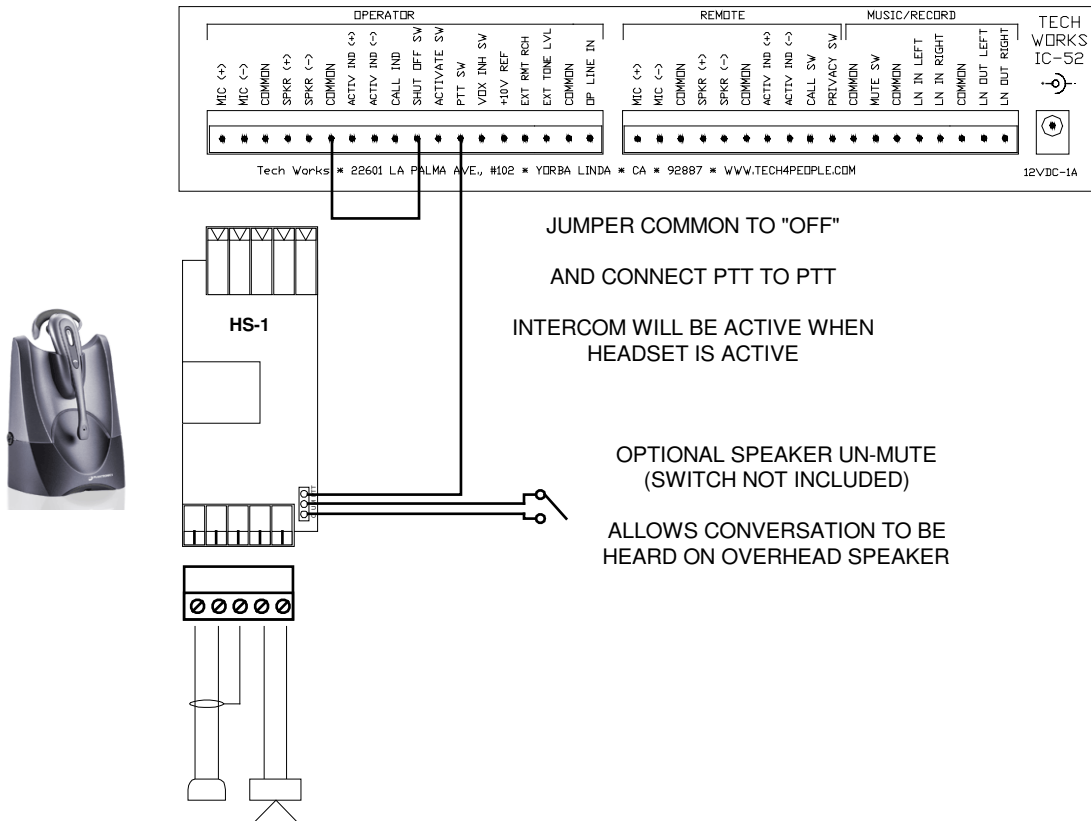
A Division of: **United Communication Technology, Inc.**
22349 La Palma Ave., Suite #107, Yorba Linda, CA 92887

Direct Line: **714-694-1040** Fax: **714-694-1041** Toll Free: **1-800-813-1080**

Web site www.tech4people.com

INSTALLING THE CS-55

The CS-55 wireless headset includes the Tech Works HS-1 when ordered from us. The HS-1 is an adapter, which allows the installer to simply plug the headset into a Tech Works IC-52.



All the installer needs to do is unplug the 5-pin Euro connector for the Operator Microphone and Speaker from the IC-52 and plug the HS-1 into the IC-52. Then plug the 5-pin Euro connector into the HS-1 and connect the Operator Microphone and Speaker wires to the 5-pin Euro connector as you normally would. Then plug the CS-55 into the Handset jack on the side of the HS-1 and connect the CS-55 power supply to the electrical outlet. Because the HS-1 gets its power from the phantom power in the IC-52 the operator phantom power jumper must be installed. You can take the top off of the IC-52 to move the phantom power jumper (see the Templates in the IC-52 Operation and Installation Manual for detailed instructions). The HS-1 will automatically switch the headset on and the wired Microphone and Speaker off when the CS-55 is turned on by touching the switch on the side of the headset. The wired Microphone and Speaker will automatically be active when the CS-55 is off (See the CS-55 Operating Instructions for full details of the CS-55 operation).

To set the listening level always adjust the IC-52 for proper listening levels for the wired speakers and microphones per the instructions in the IC-52 Operation and Installation Manual first. Then adjust the CS-55 per the CS-55 Operating Instructions.

Architects' & Engineers' Specifications

A wireless headset must be included for the operator to have hands-free communication without the use of fixed location microphone and speaker. When the headset is installed in conjunction with fixed microphones and speakers, a headset interface must be included to mute the fixed devices when the headset is in use. The headset must be a rechargeable ultra-light weight unit with a charging base and noise-canceling microphone.

The wireless headset shall be Tech Works CS-55 and include the HS-1 Interface Adapter.