

HS-1 HEADSET INTERFACE ADAPTER

The CS55 wireless headset includes the Tech Works HS-OPT1 when ordered from us. The HS-1 is an adapter, which allows the installer to simply plug the headset into a Tech Works IC-52. It includes automatic switching circuitry to mute the ceiling speaker and console microphone whenever the headset is in use. A 5-position Euro-style female connector plugs directly into the operator speaker and microphone connections on the IC-52. The green 5-pin Euro-style screw terminal that comes with the IC-52 plugs into a mating connector on the HS-1. A telephone handset jack on the side of the HS-1 makes connecting the CS55 as simple as plugging it in. Power for the HS-1 is acquired from the IC-52 microphone phantom power so no other connections are required.

Other options now included are available via a three-pin connector on the HS-1. Some times it is desirable to have the operator automatically activate the intercom and mute the music when the headset is activated by pressing it's on/off switch. A wire can be run from the PTT (Push to Talk) terminal of the HS-1 to the IC-52 PTT terminal and the function is automatic (see wiring detail on reverse side). Also sometimes it is desirable to have the speaker in the Lab stay on even when the headset is active. By shorting the UM (Un-Mute) terminal to the C (Common) terminal of the HS-1 the speaker is never muted.

BENEFITS

- Easy to use
- High Quality Audio
- Automatic Mute of Speaker and Microphone
- Hands Free Operation (VOX)
- Solid State Switch <3mS
- Plug and Play
- No Special Tools

Design Information

Power: IC-52 Microphone Phantom Power

Weight: 5 oz.

Dimensions: 3" L X 1.25" W X .375" H

Connections:

Euro-Style Screw blocks – Speaker and Microphone
RJ Handset Jack – CS55 Headset

Architects' & Engineers' Specifications

A wireless headset must be included for the operator to have hands-free communication without the use of fixed location microphone and speaker. When the headset is installed in conjunction with fixed microphones and speakers, a headset interface must be included to mute the fixed devices when the headset is in use. The headset must be a rechargeable ultra-light weight unit with a charging base, high fidelity speaker ear piece, and noise-canceling microphone.

The wireless headset shall be Tech Works CS55 and include the HS-OPT1 Interface Adapter.

Tech Works™



"Making Specialized Communication Easy"

A Division of: **United Communication Technology, Inc.**

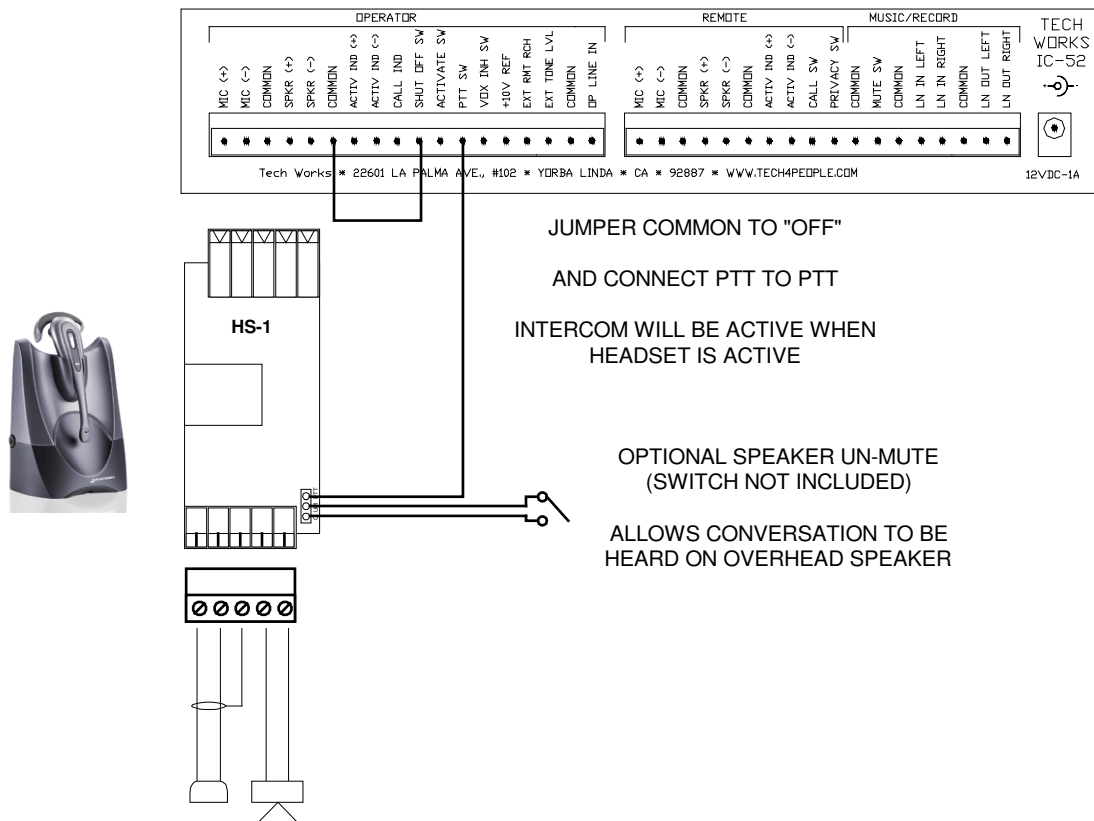
22349 La Palma Ave., Suite #107, Yorba Linda, CA 92887

Direct Line: **714-694-1040** Fax: **714-694-1041** Toll Free: **1-800-813-1080**

Web site **www.tech4people.com**

INSTALLING THE CS50 OPTION 1

The CS55 wireless headset includes the Tech Works HS-1 when ordered from us. The HS-1 is an adapter, which allows the installer to simply plug the headset into a Tech Works IC-52.



All the installer needs to do is unplug the 5-pin Euro connector for the Operator Microphone and Speaker from the IC-52 and plug the HS-1 into the IC-52. Then plug the 5-pin Euro connector into the HS-1 and connect the Operator Microphone and Speaker wires to the 5-pin Euro connector as you normally would. Then plug the CS55 into the Handset jack on the side of the HS-1 and connect the CS55 power supply to the electrical outlet. Because the HS-1 gets its power from the phantom power in the IC-52 the operator phantom power jumper must be installed. You can take the top off of the IC-52 to move the phantom power jumper (see the Templates in the IC-52 Operation and Installation Manual for detailed instructions). The HS-1 will automatically switch the headset on and the wired Microphone and Speaker off when the CS55 is turned on by touching the switch on the side of the headset. The wired Microphone and Speaker will automatically be active when the CS50 is off (See the CS55 Operating Instructions for full details of the CS55 operation).

To set the listening level always adjust the IC-52 for proper listening levels for the wired speakers and microphones per the instructions in the IC-52 Operation and Installation Manual first. Then adjust the CS55 per the CS55 Operating Instructions.