



---

## Application – Cath Lab Intercom

### **General Description -**

Cath-Lab is a generic name used for a variety of Laboratory and Procedure Room combinations that one might find in the modern Health Care environment. These include just about any combination of Clean Room adjacent to a work area. In most cases a window provides visual observation but requires live audio communication between the two environments. The Tech Works IC-52 is the perfect solution. This unit is an industrial quality, two channel, full duplex, communication system, all in one package.

By adding the right **Accessories** the communication between the Procedure Room and the Lab is not only clear and concise but also easy to operate with little or no training for the staff. Speakers are typically Ceiling mounted. A “Hanging” Microphone is typically located in front of the attending Physician. A Desk Mounted Microphone is provided for the Lab personnel. To enhance control the Desk Microphone is available with integral switches to allow a “Listen” only (Lab Mic Muted with Lab speaker on) or “Talk” and Listen (both on) or “Off”. If the Lab Operator is allowed to turn the system Off the Physician should be given a Foot Switch to “Call” the Lab Technician. By stepping on the Foot Switch a unique repeating tone is heard over the Lab Speaker alerting the Technician to turn the system on.

**Wireless Headset** options are available for both or either side of the communication. Typically the Lab Technician is the only one that gets a headset. This allows privacy with better acoustic coupling, and reduced feedback, while allowing full mobility for the Lab Tech. The Tech Works HS-1 Headset Adapter, which comes with our headsets, automatically mutes the Ceiling Speaker and Desk Microphone and Activates the Intercom. This allows the Operator full system control by simply pressing the button on the headset so they can keep working while responding to a call. A Speak “Un-Mute” is also made available if it is desired that other personnel in the Lab should be allowed to over hear the conversation while the headset is in operation.

**Music** is also sometimes desired in the Procedure Room. If this is not fully integrated with the Intercom the staff has to try to shout over the music when they talk. Tech Works provides the “ENH” or Enhanced features Option that allows the Intercom to Mute the Music during conversations. Upon conclusion of the Intercom Communication the Music “Ramps” or slowly returns to normal listening level. By providing a separate Music Amplifier such as the Tech Works SA-202 and separate Music speakers the Operator has complete control of Music levels independent of the Intercommunication settings. And all of this is automatic with the use of the Tech Works HS-1 headset adapter by simply pressing the button on the headset.

**Mounting** is available in Desk Mount, Rack Mount, or Wall / Under counter Mount. The Under Counter Mount allows the entire system to be screwed to the under side of the Lab counter giving full Operator control access while not taking up precious counter top.

## **Tech Works™**



---

“Making Specialized Communication Easy”

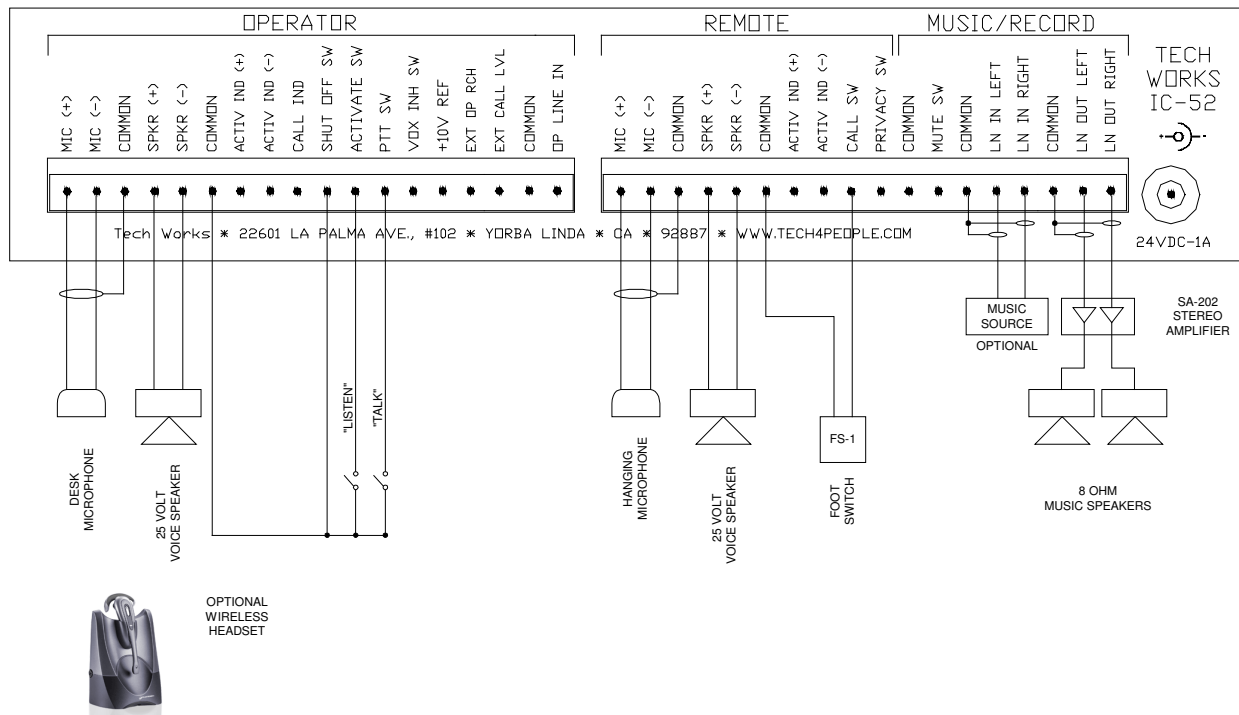
A Division of: **United Communication Technology, Inc.**  
22349 La Palma Ave. Suite 107 Yorba Linda, CA 92887

Direct Line: **714-694-1040** Fax: **714-694-1041** Toll Free: **1-800-813-1080**

Web site **www.tech4people.com**

5/07

## System Design Layout and Connections -



### Components –

<u>Qty.</u>	<u>Part #</u>	<u>Description</u>	<u>Purpose / Use</u>
1	IC-52-ENH	Dual Channel Amplifier System	Intercom Control and Amplification
1	CS-55	Wireless Headset	Lab Technician Mobility
1	FS-1-PLUS	Foot Switch Assembly	Physician Call Switch
1	PRO-45	Hanging Microphone	Procedure Room Talk Pickup
1	PRO-47T-PLUS	Desk Microphone w/Switches	Lab Talk Pickup and Control
1	SA-202	Stereo Amplifier	Music Amp and Level Control
4	SYSTEM 5	Ceiling Speaker System	Listening Output

### Benefits of using Tech Works –

**Complete, Fully Integrated, Professional Quality, Communication Reliability**  
**Easy to Operate**  
**Easy to Install**  
**No Maintenance**